

EBR-MINPIR

Miniature PIR Presence Detector

Overview



The EBR-MINPIR presence detector is designed to provide automatic control of lighting via the RAPID or LMS lighting control systems. It detects movement using a PIR sensor to turn the load on. When an area is no longer occupied the load will switch off after an adjustable time out period.

The miniature size together with multiple mounting options make these products ideally suited for mounting in, or attached to, luminaires to provide local control of individual fittings.

An adjustable internal light sensor provides light level information to the lighting control system to allow lights to be kept off if sufficient daylight is present, and to enable maintained illuminance for dimming systems.

An integral IR sensor in the unit allows the unit to be commissioned, and used in conjunction with a remote control handset (part no: UHS) to: act as a conventional dimmer; override the unit on or off; change the maintained illuminance lux setting.

Installation

The product is designed to be mounted directly to a luminaire, either on the inside or outside; or flush into the ceiling. See mounting options overleaf.

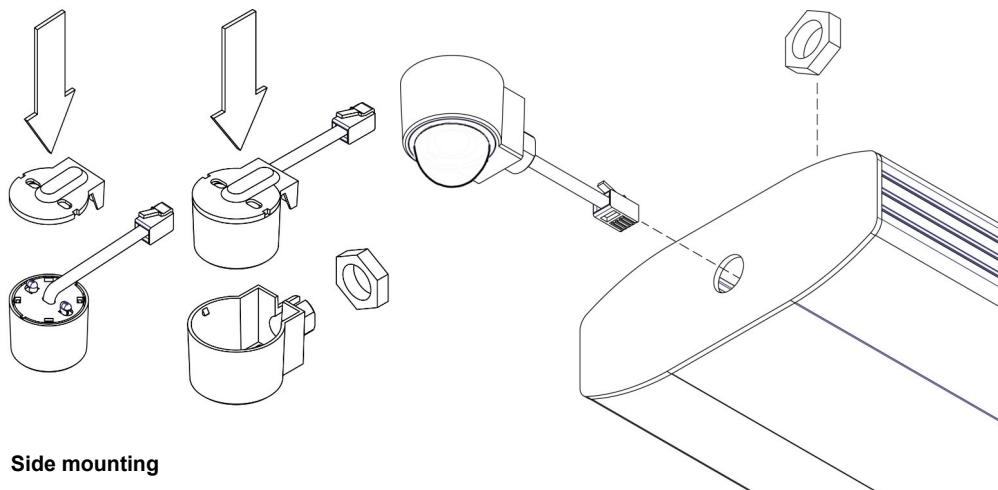
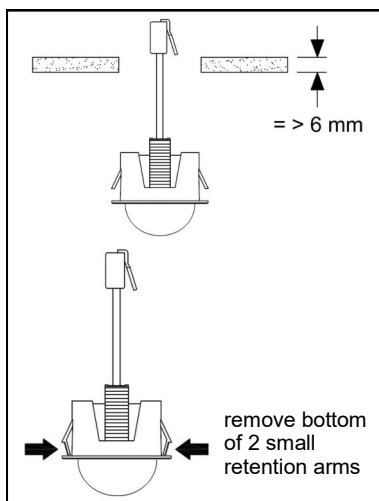
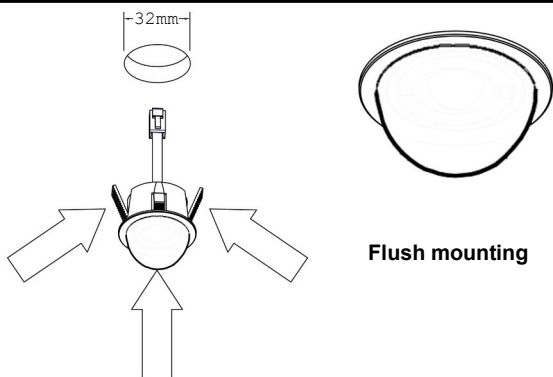
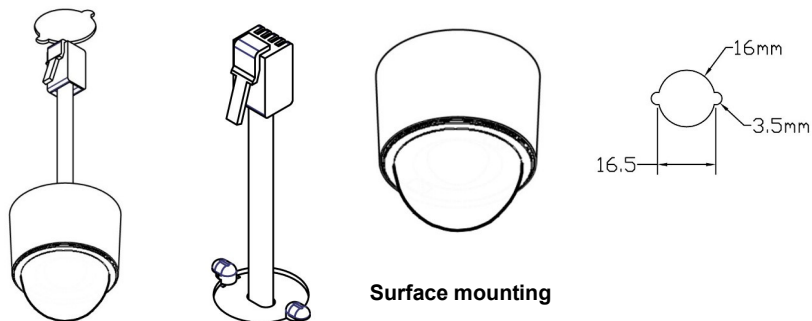
- The PIR lens must have a view outside the luminaire.
- For optimum lux measurement, the lens must be shielded as much as possible from the light source.
- If flush mounting in a panel >6mm thick, remove bottom of retention arms with side cutters.

The detector should be sited so that the occupants of the room fall inside the detection pattern shown overleaf, at a recommended height of 2.8m on the ceiling. Note that the lower the sensor is installed the smaller the detection range will be, subject to the parameters shown on the diagram.

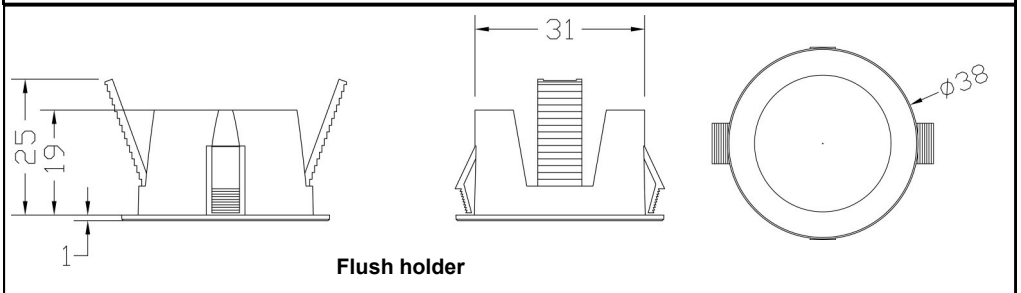
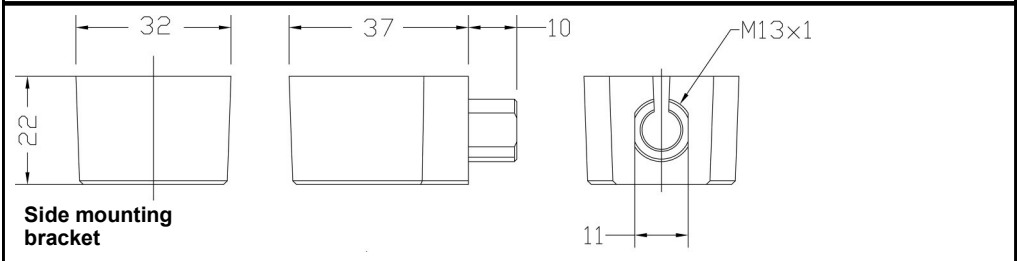
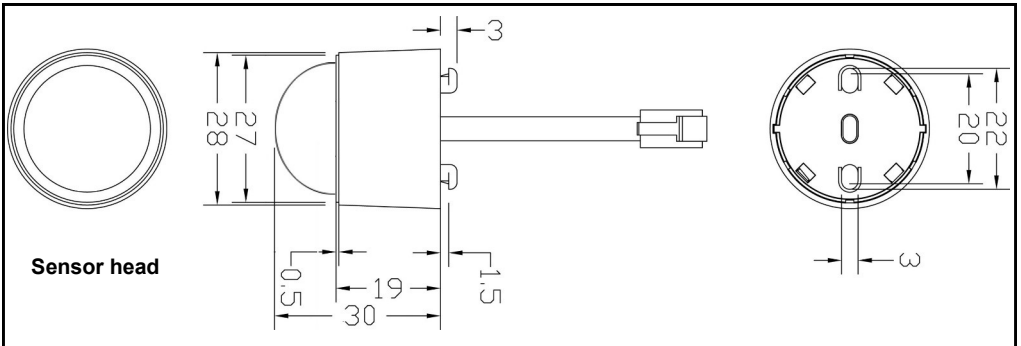
- Avoid direct sunlight entering the sensor.
- Do not site within 1m of forced air heating or ventilation.
- Do not fix to a vibrating surface.

The sensor comes with a lead and RJ45 plug for direct connection to the lighting control system. A CAT5 lead and coupler can be used to extend the lead length if required.

Installation cont.



Dimensions



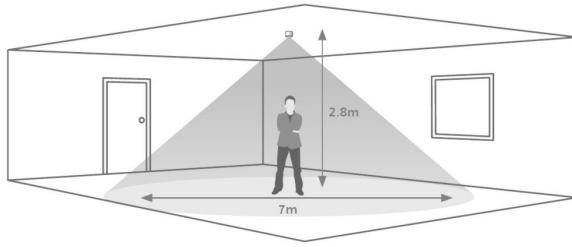
Commissioning

Commissioning will normally be performed by our trained commissioning engineers. Please note that prior to commissioning, it is the responsibility of the installing contractor to ensure the following:

- The RAPID or LMS components must be connected and installed as described in the relevant datasheet
- The detectors must be installed and plugged into the correct outlet on the LCM or switching unit as shown on the system installation drawings
- Mains power must be available
- Luminaires must be plugged in
- Bus connection must be established and checked

The detector can be set up using our infrared programming handset or computer front end. For programming details see the separate programming document.

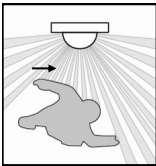
Detection Pattern



Area of high sensitivity Area of lower sensitivity

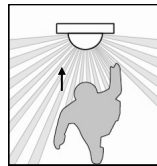
Note: illustration shows an average of the walk across and walk towards figures below.

Walk across



Height	Range Diameter
7m	16m
2.8m	9m

Walk towards



Height	Range Diameter
7m	10m
2.8m	5m

Technical data

LOAD	See datasheet for RAPID or LMS output device
SUPPLY VOLTAGE	12VDC
TIME OUT PERIOD	Adjustable 1 minute to 99 minutes
LIGHT LEVEL	Light to dark
MATERIAL	Sensor head, side mounting bracket, power supply —PA (polyamide) Flush holder—Flame retardant ABS Lens—PMMA (Clear acrylic)
TYPE	Class 2
TEMPERATURE	-10°C to 35°C
CONFORMITY	EMC-2014/30/EU LVD-2014/35/EU

For further compliance information visit www.cpelectronics.co.uk/compliance



Part Numbers

EBR-MINPIR Miniature ceiling mounted presence detector

IMPORTANT NOTICE!

This device should be installed by a qualified electrician in accordance with the latest edition of the IEE wiring regulations.



C.P. Electronics Ltd

Brent Crescent

London

NW10 7XR

United Kingdom

Tel: +44 (0) 333 900 0671

Fax: +44 (0) 333 900 0674

www.cpelectronics.co.uk

enquiry@cpelectronics.co.uk

Due to our policy of continual product improvement CP Electronics reserves the right to alter the specification of this product without prior notice.

Ref: #WD263 Issue 6